

LOC	DIST	REV	DATE	BY	CHK	APPD
GP	00	B	18DEC2006	RT	GG	
		C	17SEP2006	RT	GG	

- 1 HOUSING: LCP, UL94V0, COLOR: BLACK.
CONTACT: PHOSPHOR BRONZE.
POST: BRASS WIRE
- 2 CONTACT: 1.27µm MIN GOLD IN PAD CONTACT AREA
1.27µm MIN TIN-LEAD ON PCB TAIL
OVER 1.27µm MIN NICKEL OVER ALL.
POST 1.27µm MIN NICKEL PLATED.
- 3 MANUFACTURING TOLERANCE FOR $\phi 0.46 \pm 0.05$
DIAMETER FINISHED HOLE WITH Sn /PB PLATING:
DRILLED HOLE = $\phi 0.55 \pm 0.02$
COPPER PLATING = 0.025-0.050
Sn /PB PLATING = 0.0038-0.0124
OR
MANUFACTURING TOLERANCE FOR $\phi 0.475 \pm 0.05$
DIAMETER FINISHED HOLE WITHOUT Sn /PB PLATING:
DRILLED HOLE = $\phi 0.55 \pm 0.02$
COPPER PLATING = 0.025-0.050
- 4 SEE TABLE 1 FOR INTERCONNECTIONS TO
BACKPLANE CONNECTOR.

TABLE 1
INTERCONNECTIONS WITH BACKPLANE CONNECTOR

TYPICAL INTERCONNECTIONS FOR EACH COLUMN (WAFER): 2, 3

CONTACT USAGE	DAUGHTERCARD CONNECTOR PIN	BACKPLANE CONNECTOR PIN
POWER	ax, bx, cx	ax, bx, cx, dx
POWER	ex, fx, gx	fx, gx, hx, ix
NOT CONNECTED	dx	ex

TYPICAL INTERCONNECTIONS FOR EACH COLUMN (WAFER): 4, 5, 6

CONTACT USAGE	DAUGHTERCARD CONNECTOR PIN	BACKPLANE CONNECTOR PIN
SIGNAL	ax	bx
SIGNAL	bx	cx
SIGNAL	dx	ex
SIGNAL	fx	gx
SIGNAL	gx	hx
GROUND	cx, ex, (ALL COMMONED)	ax, dx, fx, ix

TYPICAL INTERCONNECTIONS FOR EACH ODD-NUMBERED COLUMN (WAFER): 7, 9, 11, 13, 15

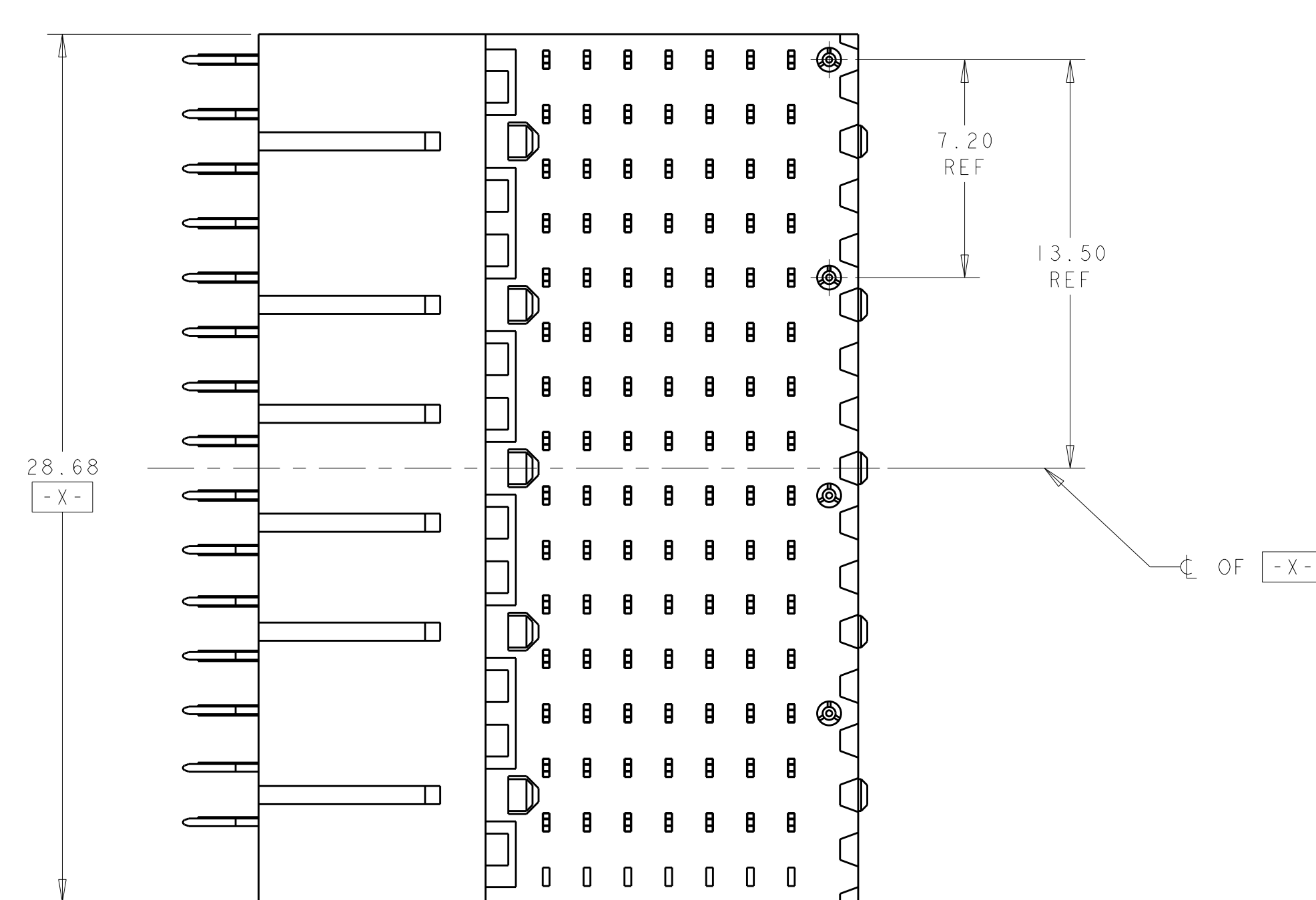
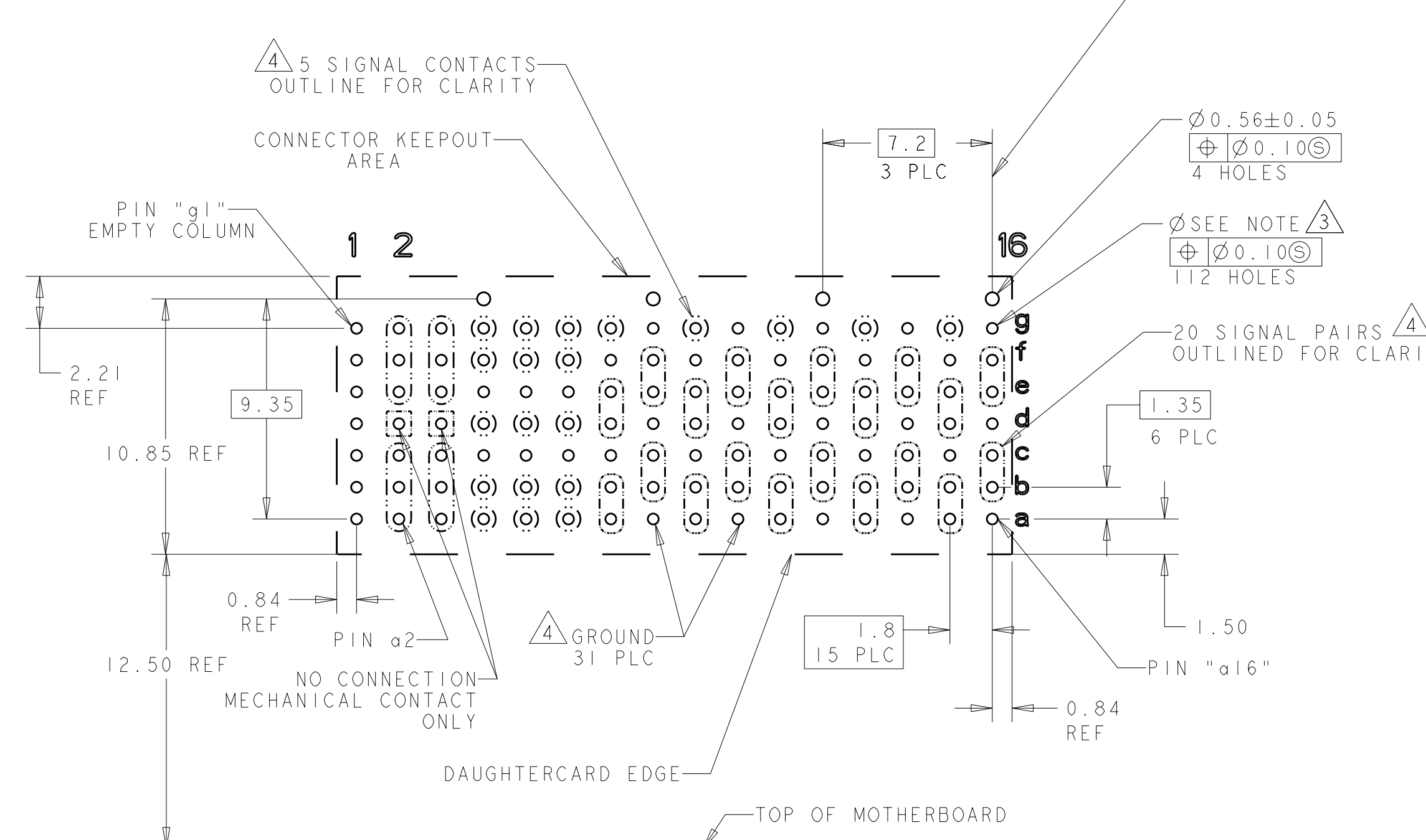
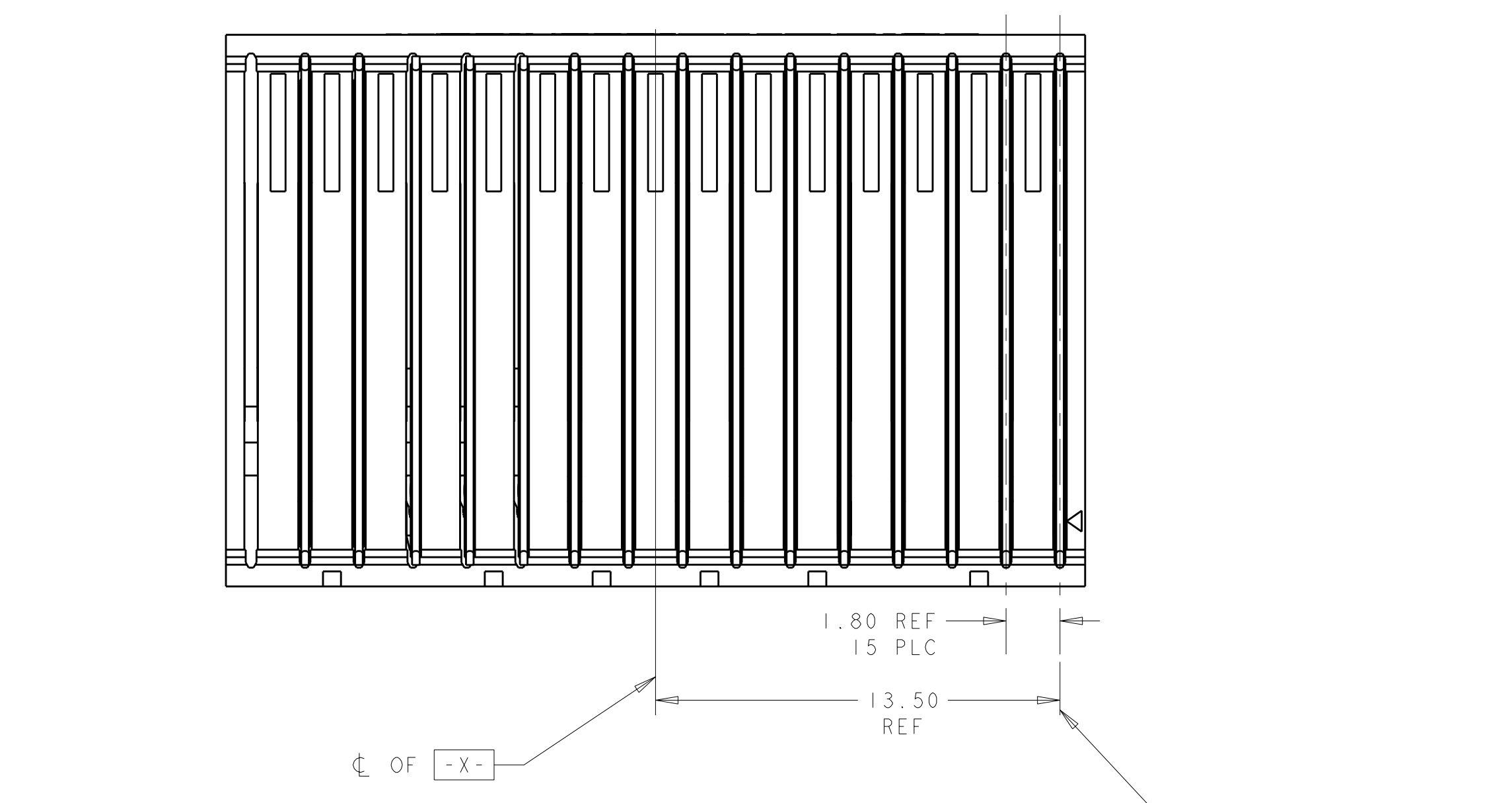
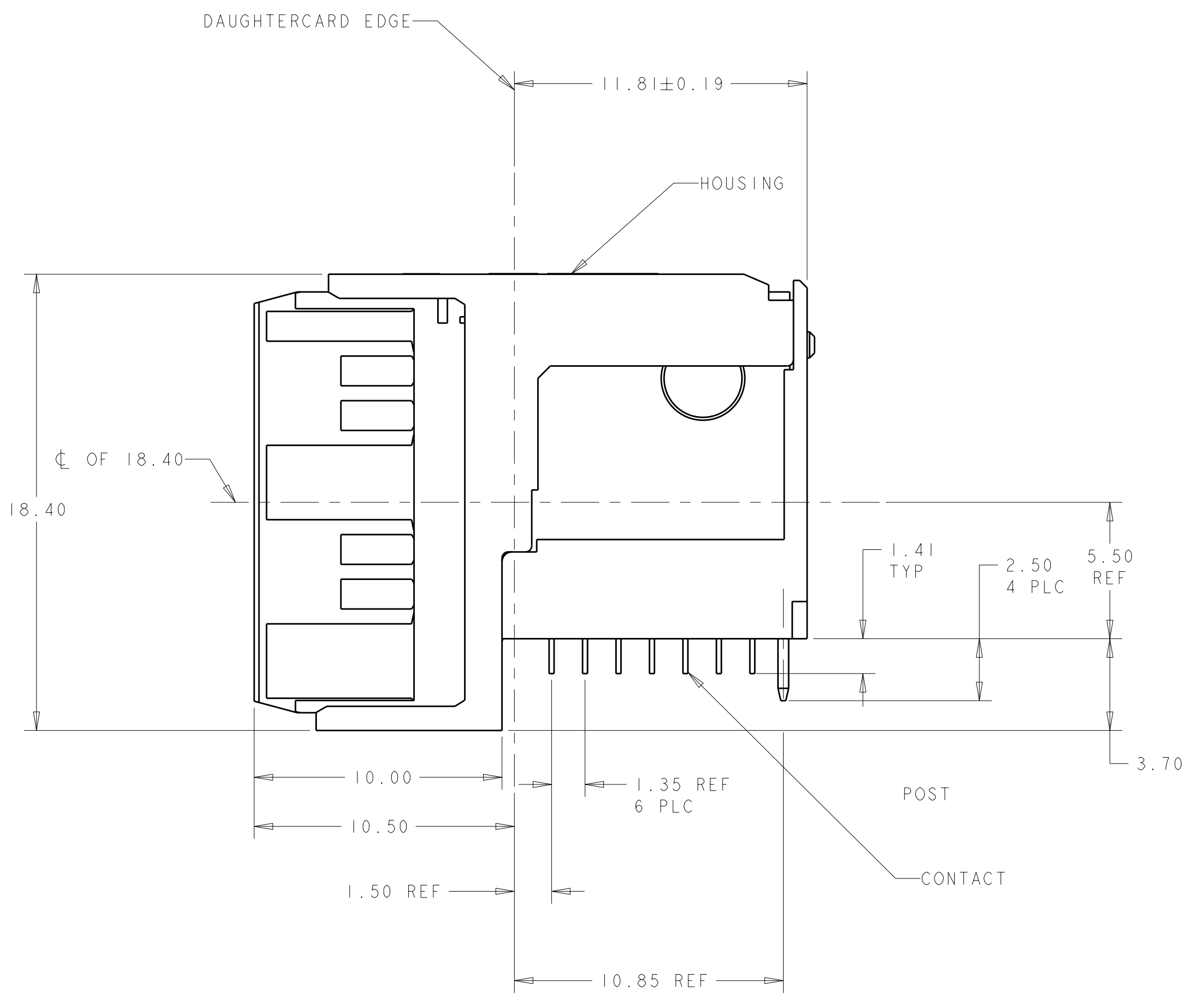
CONTACT USAGE	DAUGHTERCARD CONNECTOR PIN	BACKPLANE CONNECTOR PIN
SIGNAL PAIR	ax	ax
SIGNAL PAIR	bx	bx
SIGNAL PAIR	dx	ex
SIGNAL PAIR	ex	fx
SIGNAL PAIR	gx	ix
GROUND	cx, fx (ALL COMMONED)	cx, dx, gx, hx

TYPICAL INTERCONNECTIONS FOR EACH EVEN-NUMBERED COLUMN (WAFER): 8, 10, 12, 14, 16

CONTACT USAGE	DAUGHTERCARD CONNECTOR PIN	BACKPLANE CONNECTOR PIN
SIGNAL PAIR	bx	cx
SIGNAL PAIR	cx	dx
SIGNAL PAIR	ex	gx
SIGNAL PAIR	fx	hx
GROUND	ax, dx, gx, (ALL COMMONED)	ax, bx, ex, fx, ix

NOTE: "x" DESIGNATES THE COLUMN NUMBER

PLATING		1410968-3	
PART NO		1410968-3	
TYPICAL INTERCONNECTIONS FOR EACH ODD-NUMBERED COLUMN (WAFER): 7, 9, 11, 13, 15		TYPICAL INTERCONNECTIONS FOR EACH EVEN-NUMBERED COLUMN (WAFER): 8, 10, 12, 14, 16	
TYPICAL INTERCONNECTIONS FOR EACH COLUMN (WAFER): 2, 3		TYPICAL INTERCONNECTIONS FOR EACH COLUMN (WAFER): 4, 5, 6	
TYPICAL INTERCONNECTIONS FOR EACH COLUMN (WAFER): 7, 9, 11, 13, 15		TYPICAL INTERCONNECTIONS FOR EACH COLUMN (WAFER): 8, 10, 12, 14, 16	
TYPICAL INTERCONNECTIONS FOR EACH COLUMN (WAFER): 4, 5, 6		TYPICAL INTERCONNECTIONS FOR EACH COLUMN (WAFER): 2, 3	



DIMENSIONS:		TOLERANCES UNLESS OTHERWISE SPECIFIED:		DWN OR TREA 17FEB2006		Tyco Electronics	
mm		9 PLC ±0.5		CHK G.GRIFFITH 17FEB2006		Tyco Electronics	
Ø		5 PLC ±0.13		APPD 17FEB2006		Harrisburg, PA 17105-3608	
HOLE		4 PLC ±0.13		NAME		RIGHT-ANGLE PLUG ASSEMBLY, 7 ROW, CENTER, 20.3mm, MultiGig RT2, DAUGHTERCARD CONNECTOR, COMBO	
MATERIAL		FINISH		PRODUCT SPEC		108-2072	
				APPLICATION SPEC		114-13056	
				SIZE		CAGE CODE DRAWING NO	
				WEIGHT		A1 00779 C=1410968	
				CUSTOMER DRAWING		SCALE 6:1 SHEET 1 OF 1 REV C	